

Installation Instructions



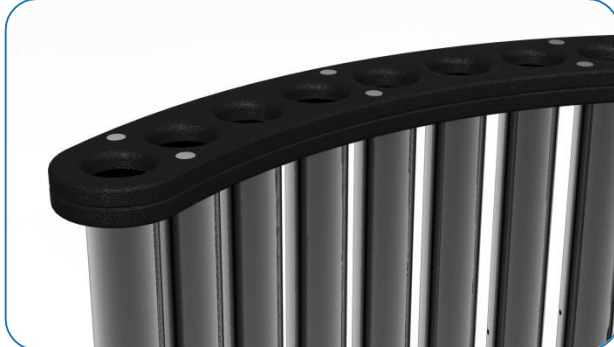
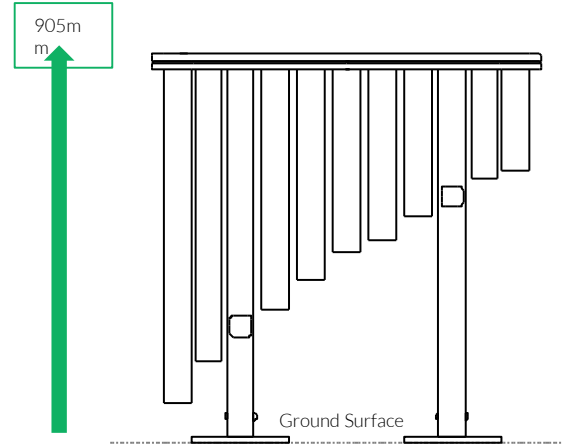
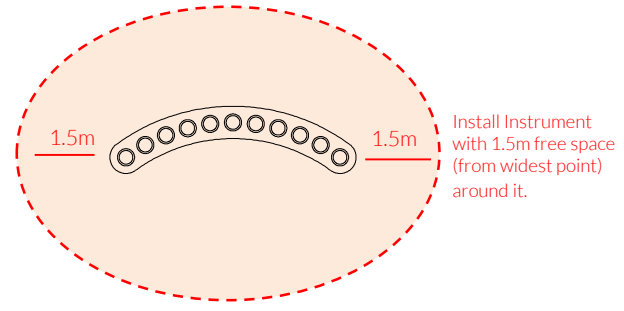
1. Handpipes will arrive on site assembled, Surface Fixings will need to be installed **(1.1)** (See Assembly Guide)

2. Attach Surface Fixing posts to legs (See Surface Fix Post Installation Sheet)

3. Locate Instrument in desired location and mark holes to fix to desired surface.

4. Fix to Surface using recommended ground anchors not supplied

5. Make sure all fixings are covered and secure using cover caps provided



Weight of heaviest part 20kg (Handpipes)

Surface Fixed
Handpipes
Page 1 of 3






Instrument Components:
Instrument assembled

Metric Conversion:
250mm/ 10"
400mm/ 16"
905mm/ 35"
1.5m/ 59"



Surface Fix Components:

-  x2
M10x50 Security Screw
-  x2
M10 Barrel Nut
-  x8
2 Part Cover Cap

Ground Anchors not supplied

Spares available from percussionplay.com or from your local distributor

25 Kg

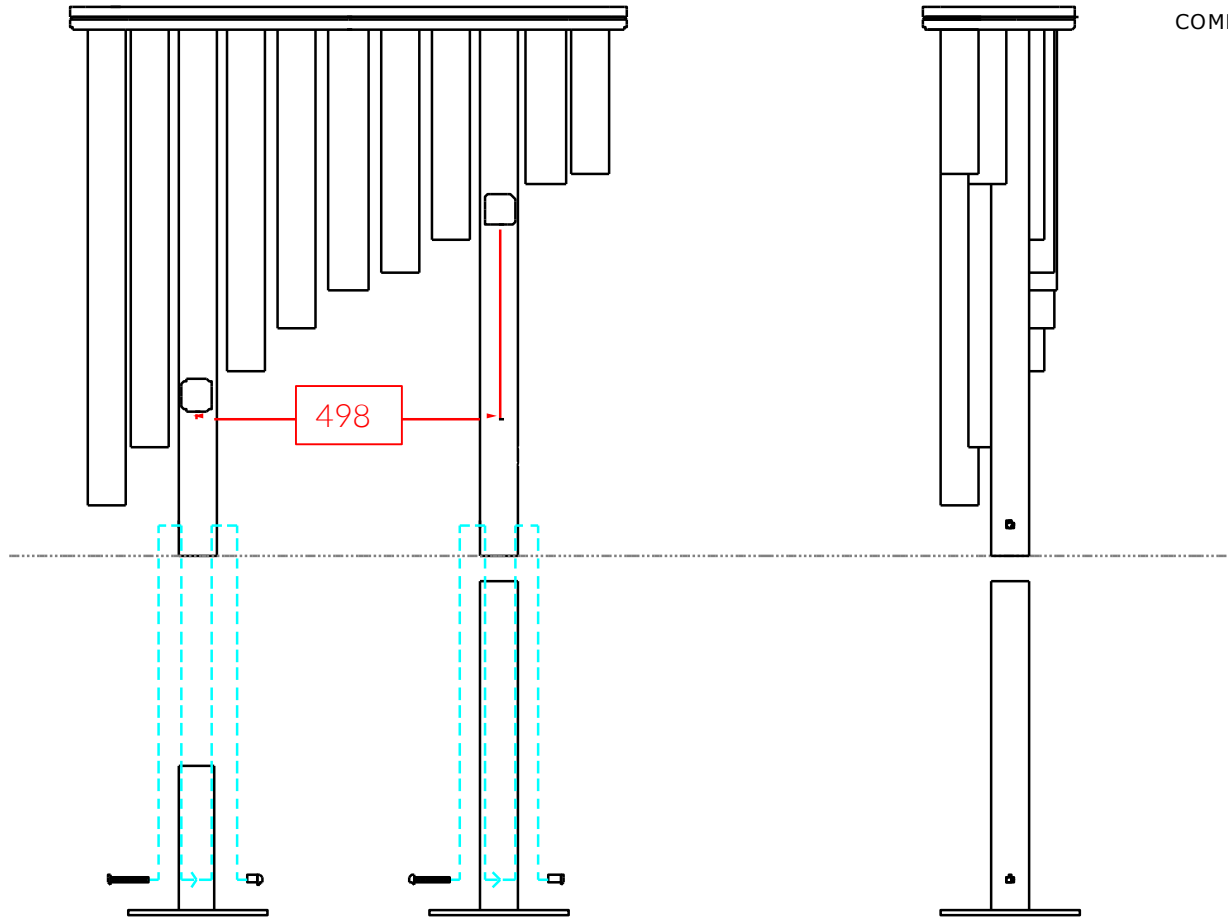
Surface Fixed

Handpipes
Page 2 of 3





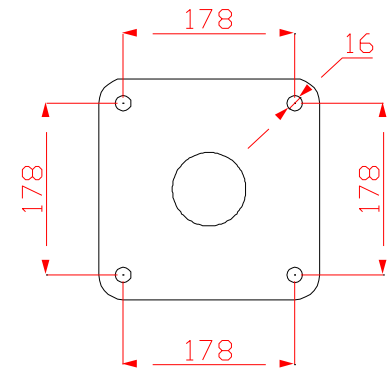
Instrument Components:

Instrument assembled



COMPONENTS LIST:




-  M10x50 Security Screw X2
-  M10 Barrel Nut X2



Thread Lock Solution
Required (Not Supplied)



Surface Fix
Components:

-  x2
-  x2
-  x8

Ground Anchors
not supplied

Spares available from
percussionplay.com or from your
local distributor

25 Kg

Tools:

 x2
 TX 45 Driver Bit

Surface Fixed

Handpipes
Page 3 of 3



Components:

 x2

M10 Barrel Nut

 x2

M10x50 Security Screw

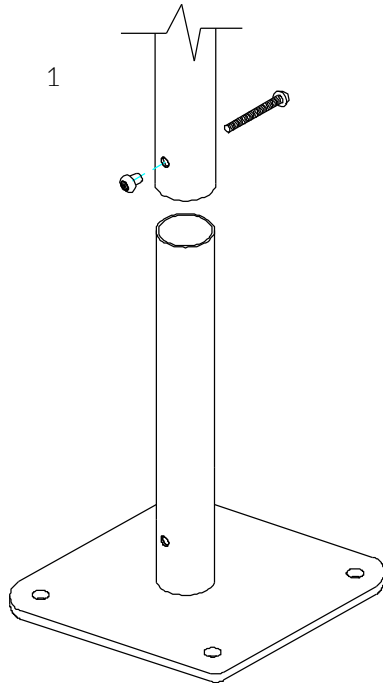
 x8

2 Part Cover Cap

Thread Lock Solution
Required (Not Supplied)

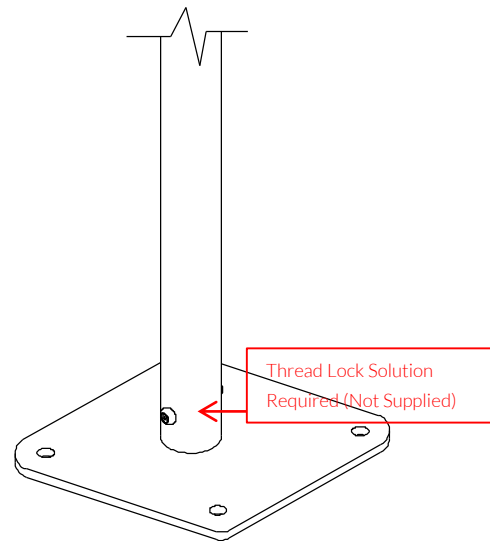
Metric
 Conversion:
 50mm/ 2"
 250mm/ 10"
 350mm/ 14"
 400mm/ 16"
 450mm/ 18"

1



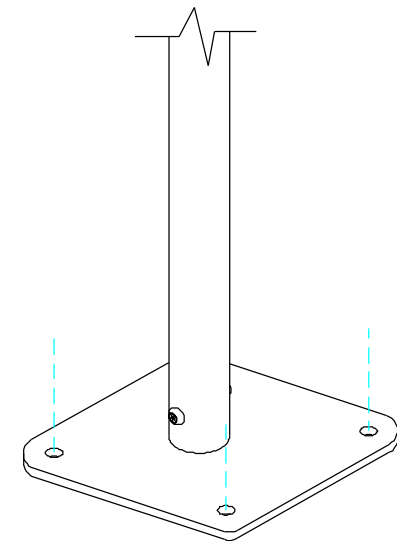
Locate the Surface fix Plate into the leg of the instrument.

2



Fix instrument to Surface fix plate using M10 bolt and Barrel Nut and use **thread locking solution** to prevent fixings working loose.

3



Fix Surface Plate to the ground surface **Ground Anchors Not provided** cover fixings with caps provided

Repeat Parts 1-3 for both legs



MADE IN
BRITAIN

BSEN 1176