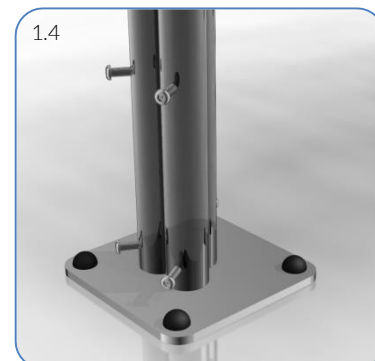
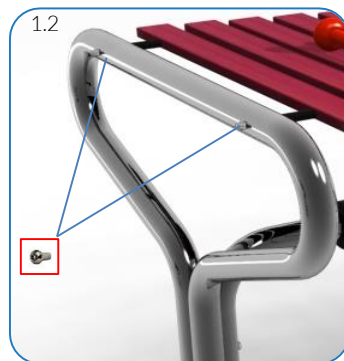


# Installation Instructions Flat Pack

## Surface Fixed

Marimba  
Page 1 of 2



Weight of heaviest part **15kg** (Notes)

1. Assemble frame and notes as shown in images **1.2, 1.3 and 1.4**(see Assembly Guide)

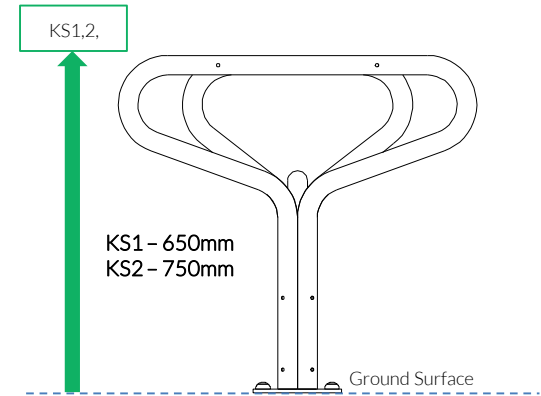
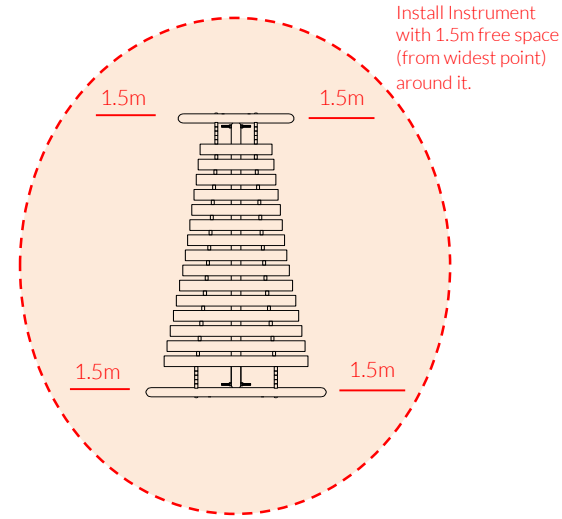
2. Attach Surface Fixing Plates to base of each leg using fixings provided (**See Surface Fix Post Installation Sheet**)

3. **Locate Instrument** in desired location and mark holes to fix to desired surface.

4. **Fix to Surface** using recommended ground anchors not supplied

5. Make sure all fixings are covered and secure using cover caps provided

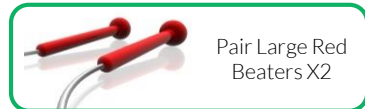
6. Beaters can be fixed to frame with fixings provided **1.5**



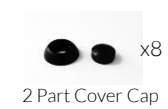
Metric	Conversion:
250mm/ 10"	
300mm/ 12"	
400mm/ 16"	
650mm/ 26"	
750mm/ 30"	
1.5m/ 59"	

### Instrument Components:

- x4
- x2
- x4
- x4
- x4



Surface Fix Components :




**Ground Anchors not supplied**

Spares available from [percussionplay.com](http://percussionplay.com) or from your local distributor

**42 Kg**

**Tools:**

 x1  
 x1  

TX 40 Driver Bit    TX 30 Driver Bit

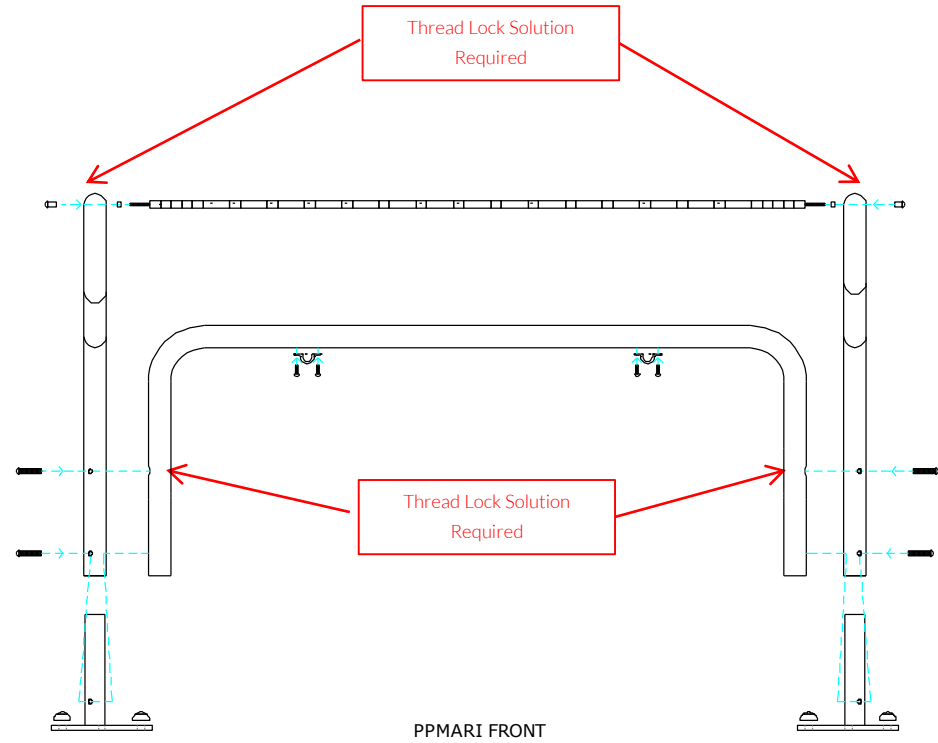
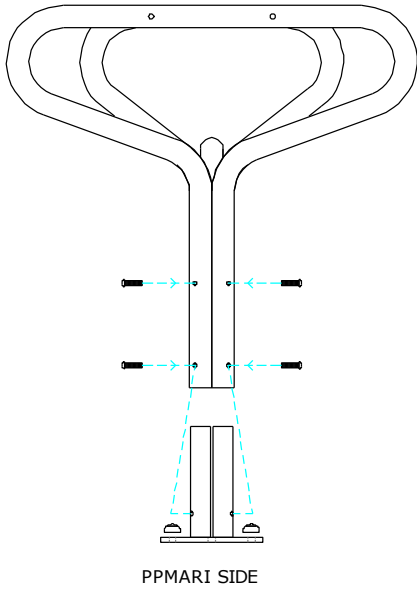
**Surface Fixed**  
Marimba  
Page 2 of 2









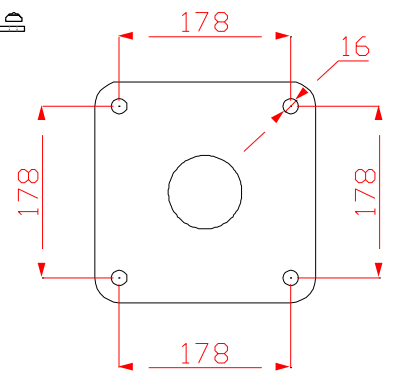
**Instrument Components:**

-  x4  
M6x20 Security Screw
-  x2  
M6 Saddle Strap
-  x4  
M8x60 Security Screw
-  x4  
M8 Barrel Nut
-  x4  
M8 Square Nut X4

Thread Lock Solution Required



- COMPONENTS LIST:**
-  M8x60 Pin torx X8
  -  M8 Barrel Nut Pin torx X4
  -  M8 Square nut X4
  -  Saddle Strap X2
  -  M6x20 Pin torx X4
  -  2 Part black cap X8





Pair Large Red Beaters X2

Surface Fix Components :

 x4  

M8x60 Security Screw

 x8  

2 Part Cover Cap

Ground Anchors not supplied

Spares available from [percussionplay.com](http://percussionplay.com) or from your local distributor

42 Kg