

Installation Instructions

Wall Fixed

Cavatina
Page 1 of 2



Weight of heaviest part **15kg** (Cavatina)

1. Attach the steel leg to the base of the instrument with the M8 Nyloc Nuts and 2 part security caps. **(1.1)** (See Assembly Guide)

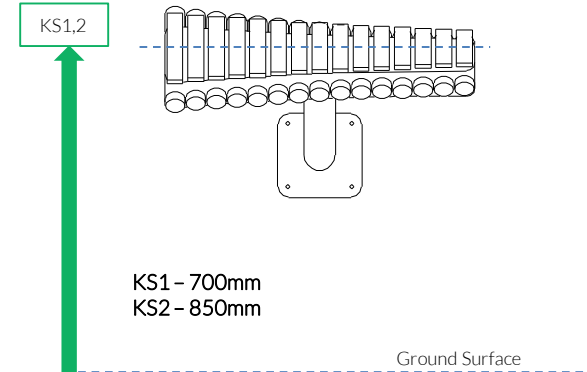
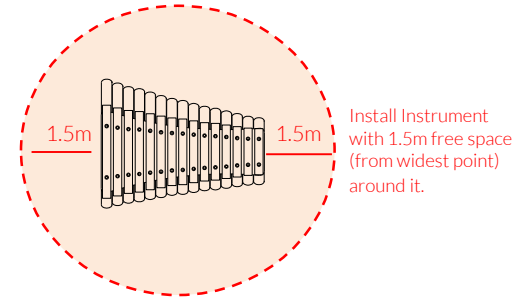
2. Attach Wall Fixing posts to legs **(1.2)** (See Ground Fix Post Installation Sheet)

3. Mark hole locations (X4) using the pre drilled holes in square plate.

4. Drill hole locations (X4) according to your chosen fixings (frame fixings, wall bolts or chemical anchors) depending of the structure of the wall. **(Not Supplied)**

5. Fix through Plate with suitable fixings (not supplied) in correct orientation and height for intended Key stage. Cover Fixings with 2 Part Caps supplied

6. Attach the 1 pair of beater to the saddle strap on the leg. **(1.3)**



Instrument Components:

-  x4
M8 Nyloc Nut
-  x2
M6x20 Security Screw
-  x4
2 Part Cover Cap
-  x1
M6 Saddle Strap

Metric Conversion:
700mm/ 28"
850mm/ 33"
1.5m/ 59"



Pair Small Red Beaters X1

Wall Fix Components:

-  x4
2 Part Cover Cap

Wall Fixings/ Anchors not supplied

Spares available from percussionplay.com or from your local distributor

14 Kg

Tools:



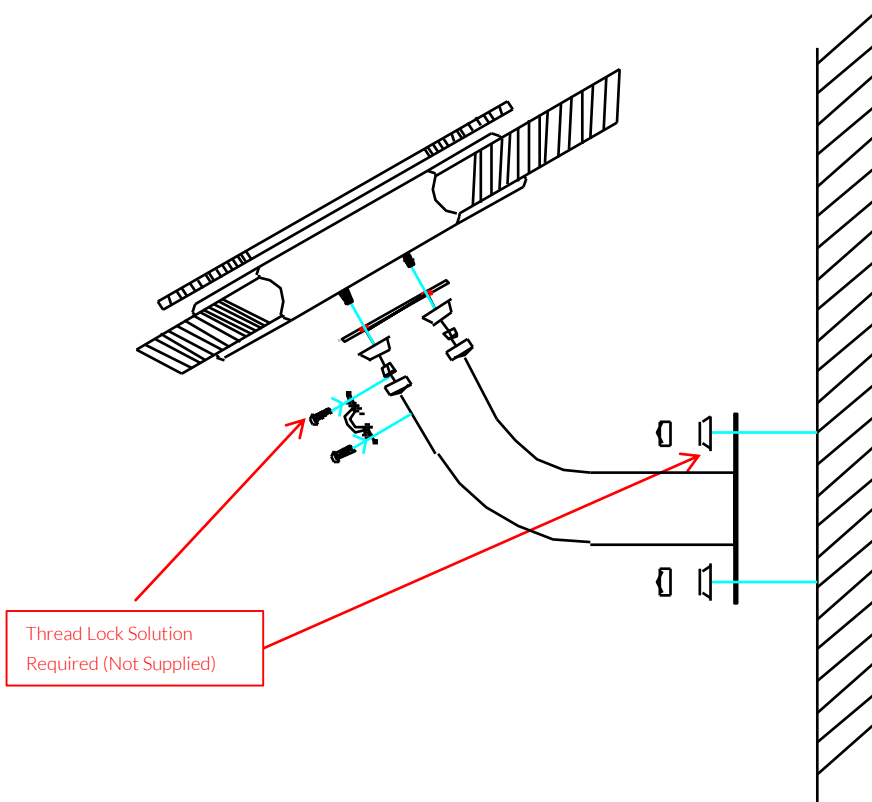
Wall Fixed

Cavatina
Page 2 of 2



Instrument Components:

-  x4
M8 Nyloc Nut
-  x2
M6x20 Security Screw
-  x4
2 Part Cover Cap M8
-  x1
M6 Saddle Strap



COMPONENTS LIST:

-  M8 2 Part Cover Cap X4
-  M12 2 Part Cover Cap X4
-  M8 Nyloc nut X4
-  Saddle Strap X1
-  M6x20 Pin torx X2

Thread Lock Solution
Required (Not Supplied)

Thread Lock Solution
Required (Not Supplied)



Pair Small Red
Beaters X1

Wall Fix
Components:



Wall Fixings/ Anchors
not supplied

Spares available from
percussionplay.com or from your
local distributor

14 Kg