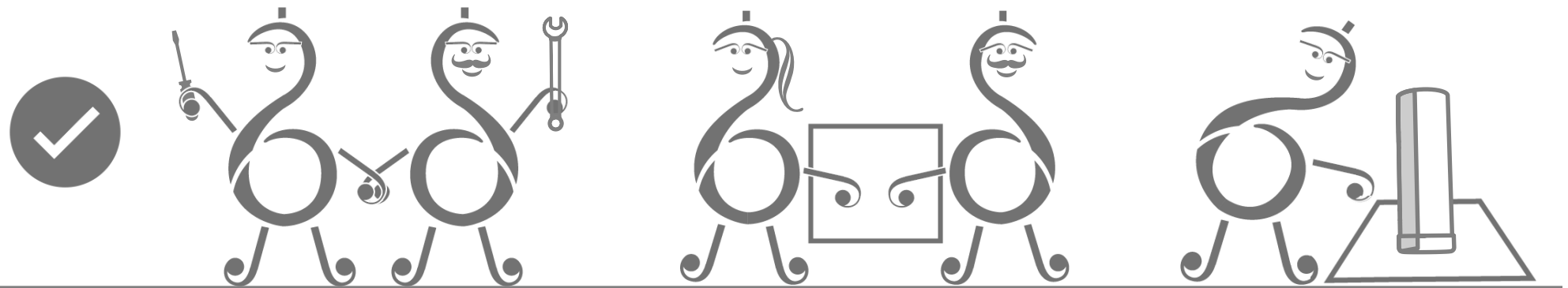
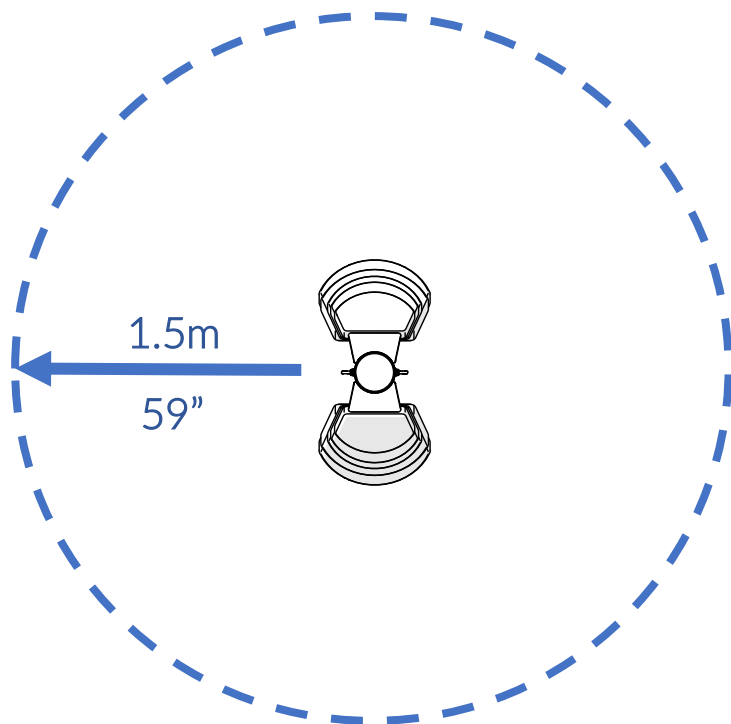


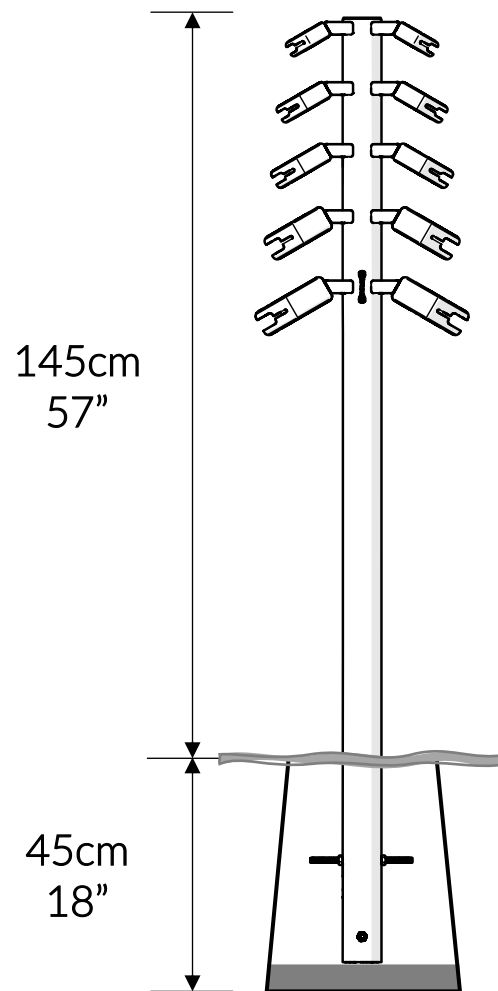
Part Reference	Description
PP-TEMP-GF	Temple Block Tree (Ground Fix)



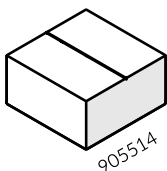




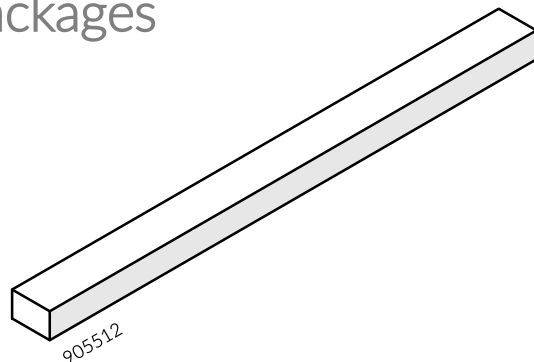
Check Risk Assessment



Packages



x1

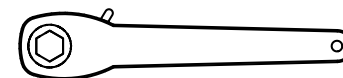


x1

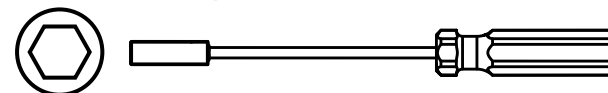
		L	W	H	Weight	Net
x1	905514	32cm / 12.5"	32cm / 12.5"	17cm / 7"	5kg / 11lbs	
x1	905512	194cm / 76"	15cm / 6"	10cm / 4"	11kg / 24lbs	

Tools required (not supplied)

¼" Bit Driver Ratchet



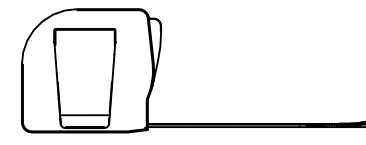
¼" hex adapter / TX40 screwdriver



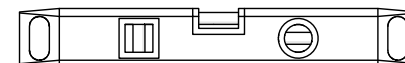
11/16" / 17mm Spanner



Tape Measure



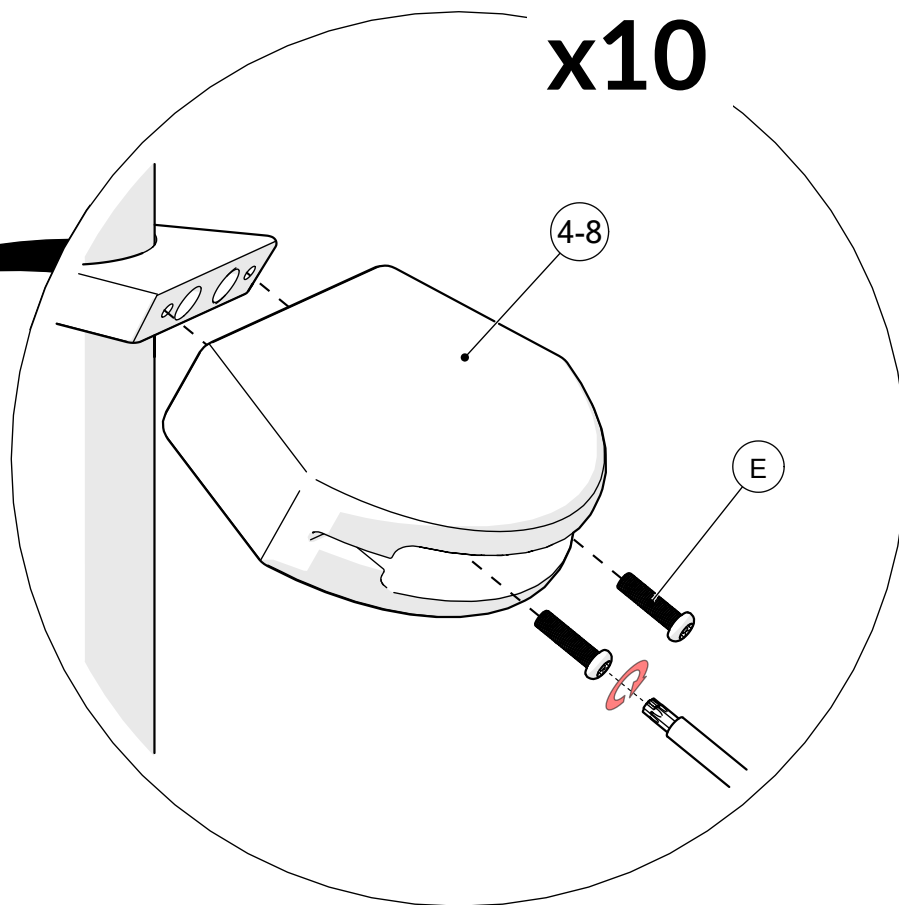
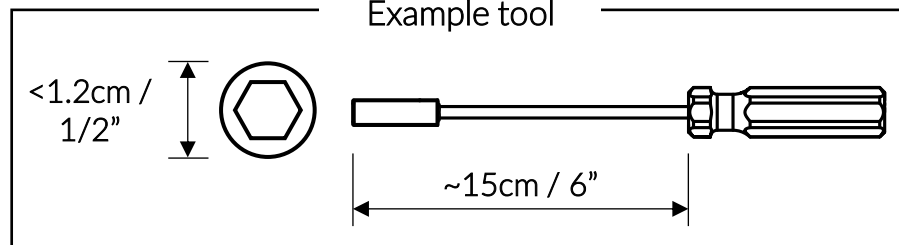
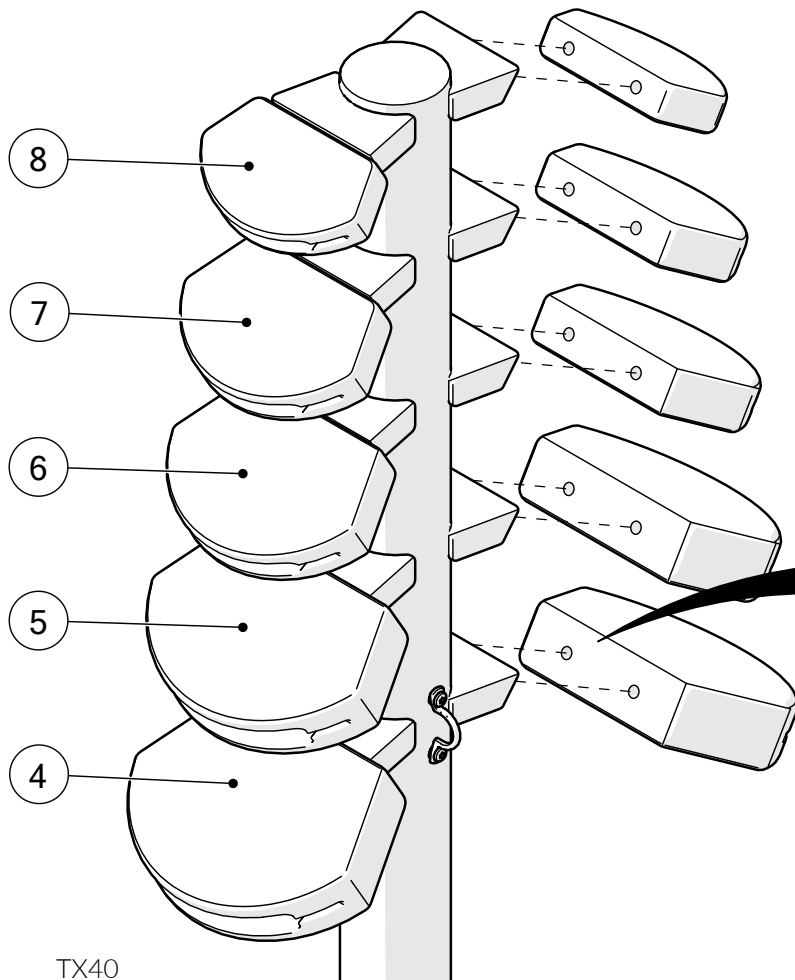
Spirit level

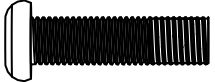


905512		
<p>① x1 805515</p>	<p>Ⓐ x4 500457</p>	<p>Ⓑ x2 500627</p>
	<p>Ⓒ x4 500746</p>	
	<p>Ⓓ x2 603150</p>	
	<p>② x4 900837</p>	
	<p>TX30 x1 500473</p>	

905514		
<p>④ x2 605459</p>	<p>⑦ x2 605456</p>	
<p>⑤ x2 605458</p>	<p>⑧ x2 605455</p>	
<p>⑥ x2 605457</p>	<p>Ⓔ x20 504629</p>	
	<p>TX40 x1 500474</p>	

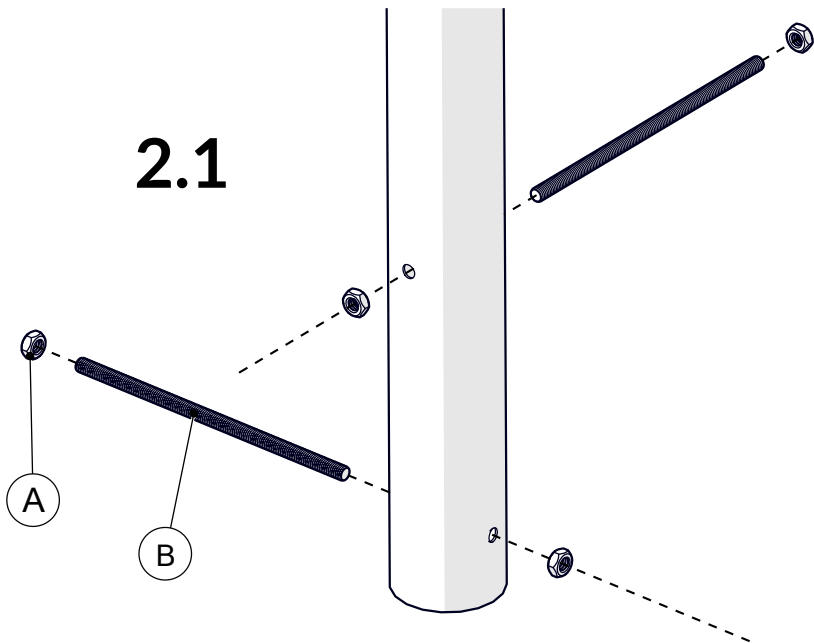
1.



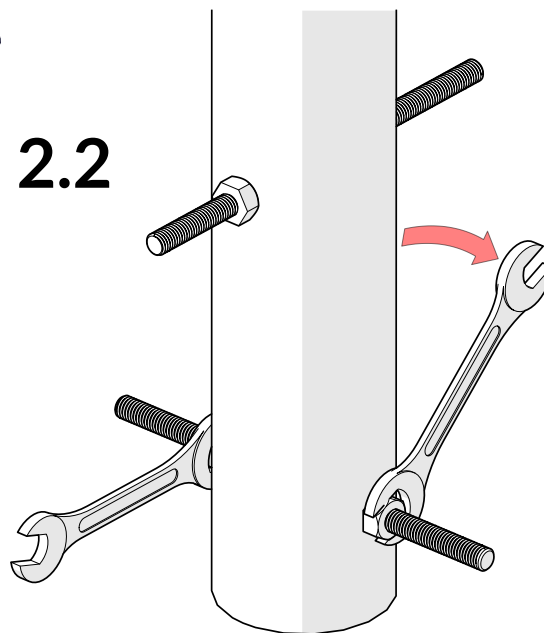
E		x20
---	---	-----

2.

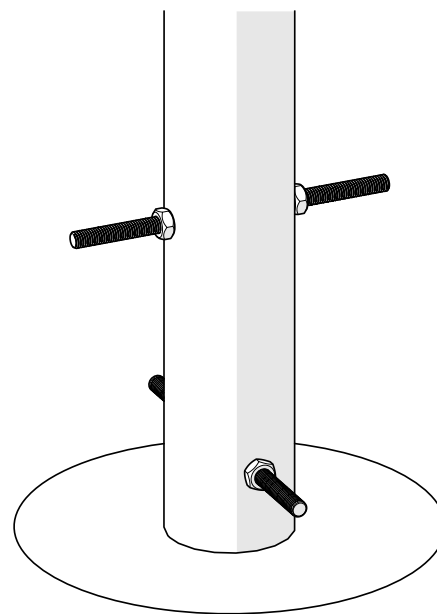
2.1



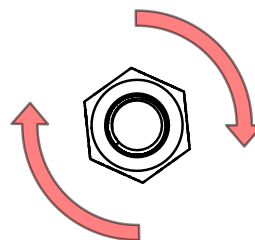
2.2



2.3



A		x4
B		x2

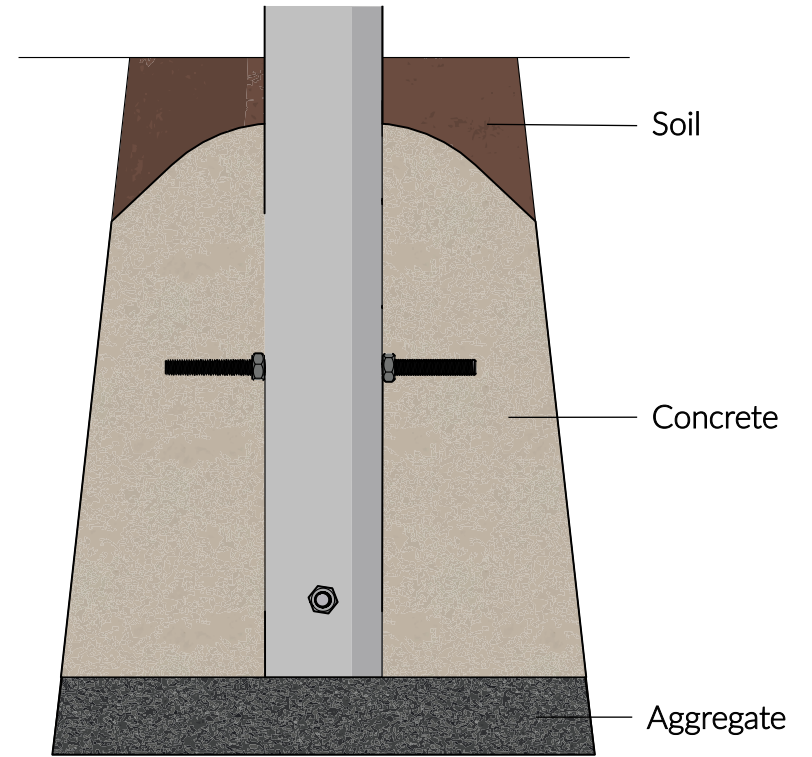
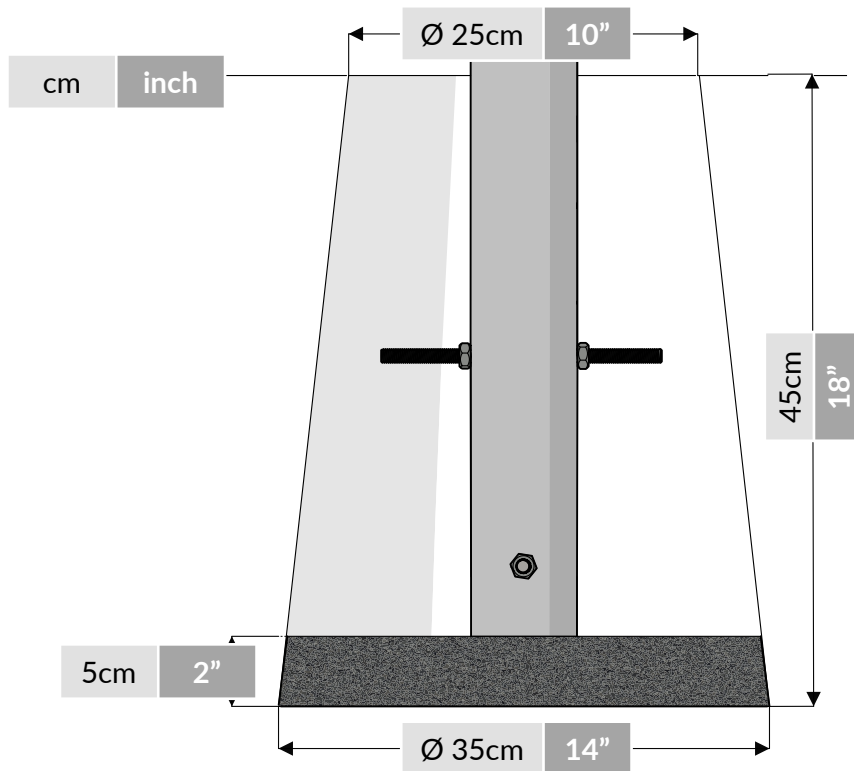
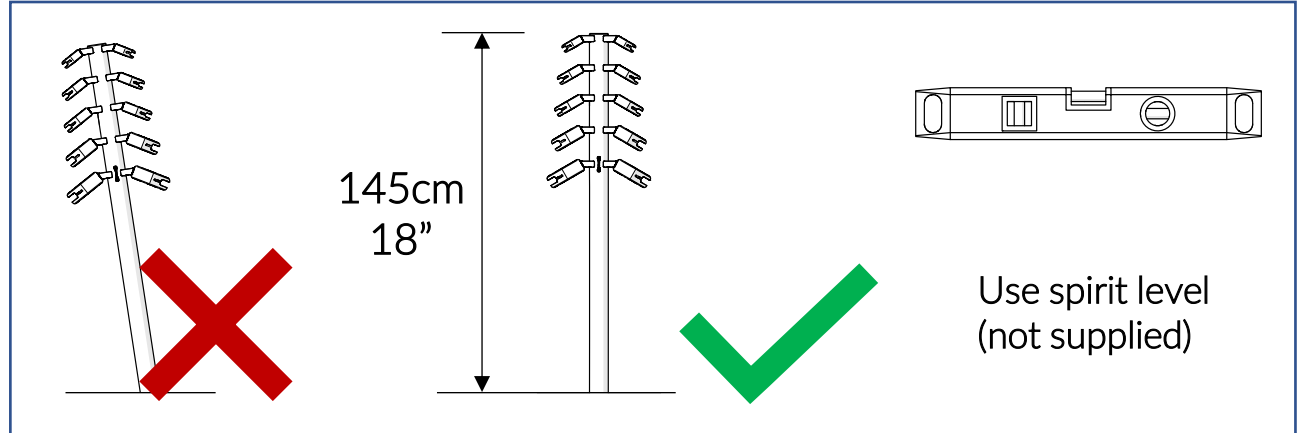


3.



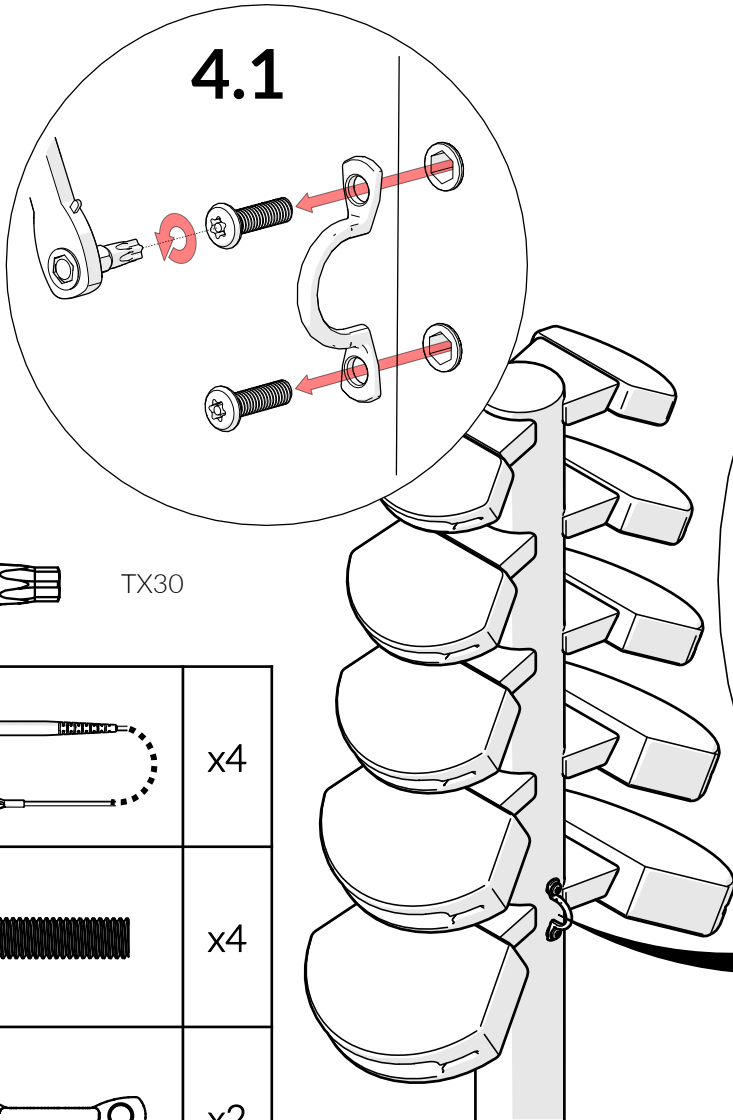
Foundations should not present a hazard

Refer to your local Health & Safety standards

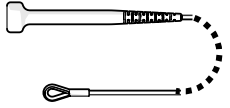
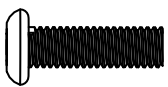
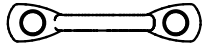


4.

4.1

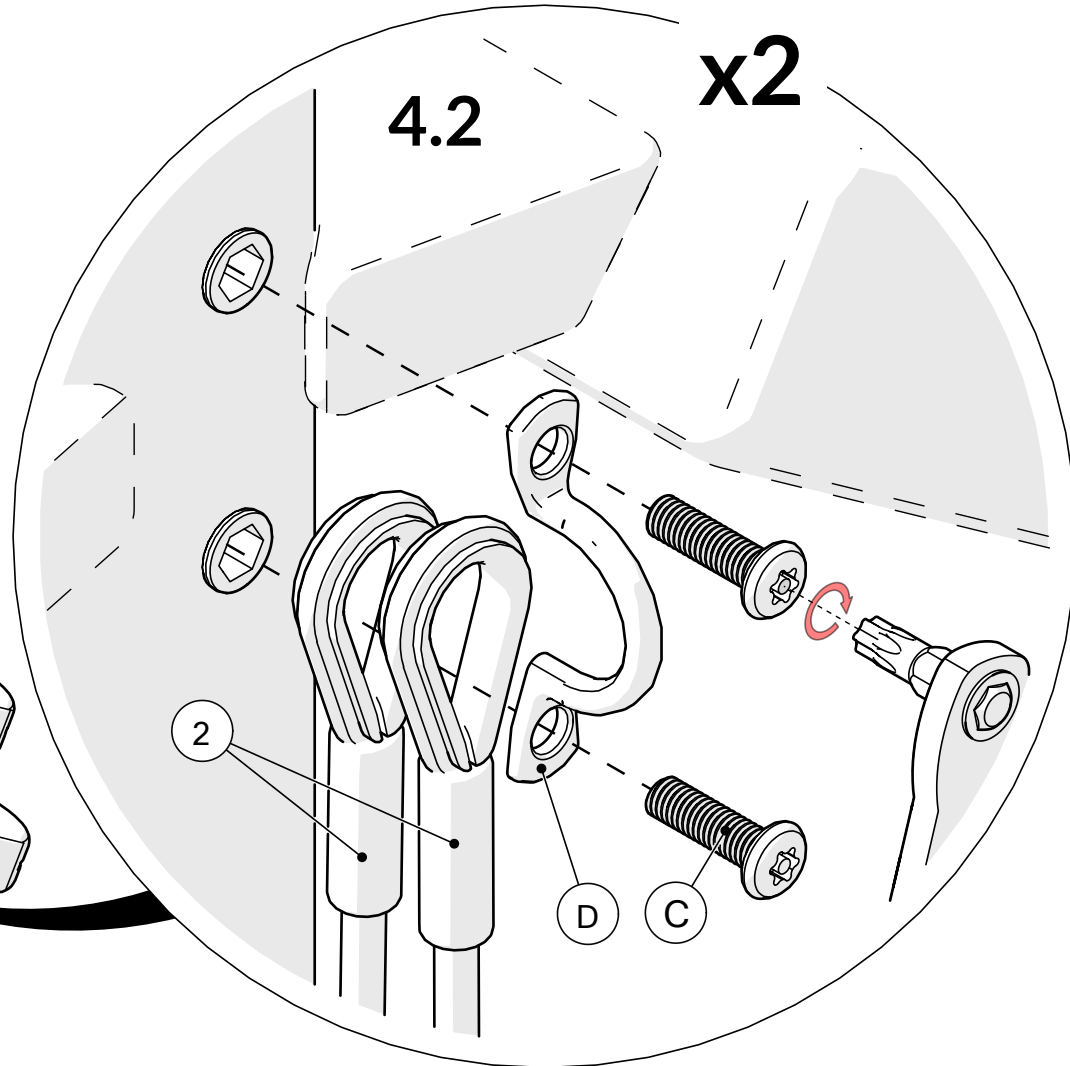


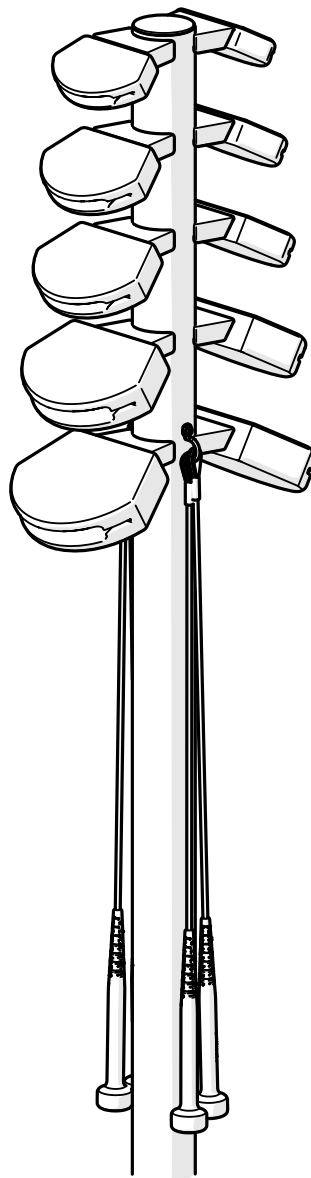
TX30

2		x4
C		x4
D		x2

4.2

x2





percussionplay.com



info@percussionplay.com



UK
[01730 235 180](tel:01730235180)

USA & CAN
[+1 \(866\) 882 9170](tel:+18668829170)

EUR & ROW
[+44 1730 235 180](tel:+441730235180)